



(System Controller WV-CU950 and monitor displays are optional.)

## i-Pro management and monitoring software for multi-recorder multi-site system

### Key Features: WV-ASM100

- Up to 100 recorders, 64 encoders and 256 directly connected cameras can be registered. Up to 3,200 cameras registered in the recorders and 256 cameras registered in the encoders are automatically registered in WV-ASM100 (the number of the cameras depends on the recorder and encoder).
- Live images can be received directly from the camera/encoder or via the recorder enabling flexible network design.
- Multi-Monitor option enables simultaneous use of operation display (Spot / Quad), Live display (1 / 4 / 9 / 16 split) and Map display each on a dedicated monitor. Single or two monitor operation is also available.
- Up to 30 ips/camera in 16 split-screen in MPEG-4 2 Mbps mode (depending on the camera and camera setup)
- Up to 400 camera groups: User-programmable cameras and multiscreen assignment.
- Image resolution dynamically changes depending on screen mode: VGA for Quad screen, QVGA for 16 split screen, enabling optimum network usage (depending on the camera model).
- Panasonic camera control: Pan/Tilt, Zoom, Focus, Brightness, Preset position call and program (up to 256), Auto mode, AUX 1 ~ 3, Click Centering, Wheel Zoom (depending on the camera model)
- The camera displayed in the active window can be controlled by the optional system controller WV-CU950. Recorder playback operation can also be made by the system controller with Jog/Shuttle.
- Alarm notification: A pop-up alarm message is displayed and live or playback images can be viewed by clicking the icon in the message.
- Illustrated camera, alarm and recorder icons for intuitive operations.
- Up to 64 camera icons can be freely positioned on a map with alarm status indicated by the color of the icons.
- Recorded images of up to 32 cameras (in case with WJ-ND300A) registered in a recorder can be downloaded with the viewer software by one operation. Downloaded images can be viewed by the viewer software (provided).
- Sophisticated user management: User authentication with time limited password, 5 user levels, User-Camera View/Control partitioning in conjunction with recorder's user management, Up to 32 user registrations.
- System logs can be saved in CSV format. Operation logs can automatically be erased when specified time has passed (31 / 92 / 184 / 366 days).

### Key Features: WV-ASM10

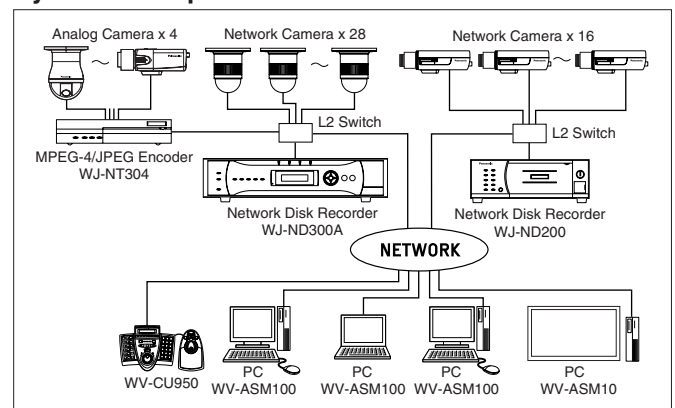
- WV-ASM10 i-Pro Monitoring Software provides up to 16 split live display including pre-programmed selection of cameras
- Up to 16 recorders, 64 encoders and 256 directly connected cameras can be registered. Up to 512 cameras registered in the recorders and 256 cameras registered in the encoders are automatically registered in WV-ASM10 (the number of the cameras depends on the recorder and encoder).
- Spot / Quad / 6 split / 9 split / 16 split multiscreen and synchronized multiscreen group sequence.
- Up to 30 ips/camera in 16 split-screen in MPEG-4 2 Mbps mode (depending on the camera).
- Up to 400 camera groups: User-programmable cameras and multiscreen assignment.
- Pre-programmed cameras can automatically be displayed upon power ON.
- Camera title within 16 alphanumeric characters embedded in the image can be displayed.

### Optional Accessory

Ethernet System Controller  
with 3D-Joystick & Jog/Shuttle  
**WV-CU950**  
(For WV-ASM100 only)



### System Example



## Specifications: WV-ASM100

<b>Supported Equipment</b>	Supported Cameras	Direct: Panasonic i-Pro series Network cameras except for WV-NM100 Via Recorder: Panasonic i-Pro series Network cameras, BB series (specific models) and Axis® (specific models)	
	Supported Recorders	WJ-ND300 series, WJ-ND200 series, WJ-HD309A/316A series	
	Supported Encoders	WJ-NT304	
	Supported Controllers	WV-CU950	
	Supported Image Format	MPEG-4 (i-Pro series except for WV-NM100), M-JPEG	
	Maximum Number of Recorder Registrations	100, Cameras registered in the recorders are automatically registered in WV-ASM100	
	Maximum Number of Encoder Registrations	64, Cameras registered in the encoders are automatically registered in WV-ASM100	
	Maximum Number of Camera Registrations	Camera direct: 256, Via Recorder: 3,200 (In the case with WJ-ND300A) Via Encoder: 256 (In the case with WJ-NT304)	
	<b>GUI Function</b>	Camera Control (depending on the Camera)	Pan/Tilt, Zoom, Focus, Brightness, Preset position call and program (up to 256), Auto mode (SEQ, SORT, AUTO PAN, PATROL, AUTO TRACK), AUX 1 - 3, Click centering, Wheel zoom
		Recorder Control (depending on the Recorder)	REC, PLAY, Rev PLAY, Pause, Stop, FF (up to 96x), REW (up to 96x), Prev Record, Next Record, Prev Image, Next Image, Skip (up to 60 min.), Rev Skip, (up to 60 min.) Text.
		Search Mode	Target: Recorder (Camera) / Group / Map, Search criteria: Time date, Event type, Text.
		Multiscreen Mode	Spot / Quad (A - D) / 9 split / 16 split
		Sequence Display	10 programs, 64 steps/pattern, Spot or Quad group, Dwell time: 3s / 5s / 10s / 15s / 20s
Display Performance		30 ips x 16 screens at MPEG-4 2 Mbps	
Multi-Monitor		Up to 3 monitors (Operation / Live / Map), Up to 20 cameras can be displayed (Operation-4, Live-16)	
Camera Group Display		Up to 400 groups with 16 alphanumeric titles	
Number of Maps		Up to 100 maps (JPEG or Bit map), Link: 64 cameras and 20 maps / map	
Image Download		Recorded images of up to 32 cameras (in case with WJ-ND300A) can be downloaded. Manual download only. Viewer software can be extracted from the main software.	
Camera Title Display		On the GUI, Up to 16 Characters	
Clock Display		On the GUI, Time: 12H/24H, Date: 5 formats (When the image comes from the recorder)	
Alarm Source		Panasonic alarm protocol by Recorder	
Alarm Control	Reset, Auto reset (OFF / 10s / 20s / 30s / 1min / 5min)		
Alarm Action	Up to 16 alarm images can be displayed on the live monitor. Corresponding camera icon on the map lights up. Alarm message on the GUI and buzzer.		
Digital Zoom	Up to 4 times		
Text Attachment	Free comment can be attached for each record and reviewed at later time. Up to 200 characters		
System Log	Operation (100,000), System (1,000), Network error (1,000), Recorder error (1,000), Alarm (30,000)		
Recorder Log Download	Operator access, Network error, Error, Event		
User Management	Registration: Up to 32 users + Administrator (ID and Password), User level: 5 levels (Programmable), PW time limit: OFF / 31 / 92 / 184 / 366 days, Auto login: ON / OFF, Recorder login user: Up to 16 users		
Partitioning	User - Camera (View only, View & Control, No Access) in conjunction with recorder's user management		
Security Method	User authentication (ID and Password), Host authentication (IP address), Alteration detection, Hardware key (USB dongle)		
Time Synchronization	NTP (Server/Client)		
Summer Time	User definable (using menu setup)		
System Setup	Setup page in English, French, Italian, Spanish, German, Russian, Chinese		
GUI Language	English, French, Italian, Spanish, German, Russian, Chinese		
<b>General</b>	Supported OS	Microsoft® Windows® XP Home SP2, Microsoft® Windows® XP Professional SP2, Microsoft® Windows Vista Ultimate, The language of the OS must be same as selected GUI language.	
	Required PC	CPU: Intel® Core 2 Duo 2.4 GHz or faster, RAM: 1 GB or more, VRAM: 128 MB or more, Microsoft® DirectX® 9.0c or later	
<b>Network</b>	Proxy	HTTP proxy supported (IP address and port No.)	
	FTP	Passive/Active	
<b>Viewer Software</b>	Playback Control	Play, Rev Play, Pause, FF, REW, Prev Record, Next Record, Prev Image, Next Image	
	Additional Functions	Alteration detection, Save as JPEG, Two times zoom, Print	

## Specifications: WV-ASM10

<b>Supported Equipment</b>	Supported Cameras	Direct: Panasonic i-Pro series Network cameras except for WV-NM100 Via Recorder: Panasonic i-Pro series Network cameras, BB series (specific models) and Axis® (specific models)	
	Supported Recorders	WJ-ND300 series, WJ-ND200 series, WJ-HD309A/316A series	
	Supported Encoders	WJ-NT304	
	Supported Image Format	MPEG-4 (i-Pro series except for WV-NM100), M-JPEG	
	Maximum Number of Recorder Registrations	16, Cameras registered in the recorders are automatically registered in WV-ASM10	
	Maximum Number of Encoder Registrations	64, Cameras registered in the encoders are automatically registered in WV-ASM10	
	Maximum Number of Camera Registrations	Camera direct: 256, Via Recorder: 512 (In the case with WJ-ND300A), Via Encoder: 256 (In the case with WJ-NT304)	
	<b>Display Function</b>	Multiscreen Mode	Spot / Quad / 6 split / 9 split / 16 split
		Sequence Display	10 programs, 64 steps/pattern, Spot / Quad / 6 split / 9 split / 16 split, Dwell time: 3s / 5s / 10s / 15s / 20s
		Display Performance	30 ips x 16 screens at MPEG-4 2 Mbps
		Camera Group Display	Up to 400 groups with 16 alphanumeric titles
		Camera Title Display	Up to 16 Characters (image embedded)
		Security Method	Hardware key (USB dongle)
Time Synchronization		NTP (Server / Client)	
Summer Time		User definable (using menu setup)	
System Setup		Setup page in English, Chinese, Japanese	
<b>General</b>		Supported OS	Microsoft® Windows® XP Home SP2, Microsoft® Windows® XP Professional SP2, Microsoft® Windows Vista Ultimate, The language of the OS must be same as selected GUI language.
		Required PC	CPU: Intel® Core 2 Duo 2.4 GHz or faster, RAM: 1 GB or more, VRAM: 128 MB or more, Microsoft® DirectX® 9.0c or later
<b>Network</b>		Proxy	HTTP proxy supported (IP address and port No.)

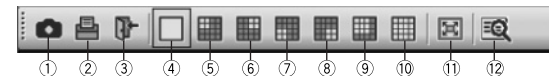
## Major Operating Controls

### Operation Window



Function Panel      Operation Panel      Image Display Area

### Tool Bar



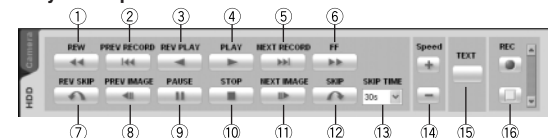
- ① [Save as JPEG file] Icon      ⑤ [4A] Icon      ⑨ [9] Icon
- ② [Print] Icon      ⑥ [4B] Icon      ⑩ [16] Icon
- ③ [Logout] Icon      ⑦ [4C] Icon      ⑪ [Full screen] Icon
- ④ [1] Icon      ⑧ [4D] Icon      ⑫ [Search] Icon

### Status Bar



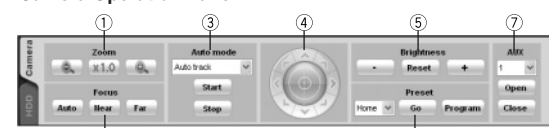
- ① Recorder Title / Camera Title      ④ [SD] Button      ⑦ [REC] Indicator
- ② [ALM] Button      ⑤ [LIVE] / [PLAY] / [SD PLAY]      ⑧ [COPY] / [DELETE]
- ③ [ERR] Button      ⑥ [Step 1] ~ [Step 7]      ⑨ Time and Date

### Playback Operation Panel



- ① [REW] Button      ⑨ [PAUSE] Button
- ② [PREV RECORD] Button      ⑩ [STOP] Button
- ③ [REV PLAY] Button      ⑪ [NEXT IMAGE] Button
- ④ [PLAY] Button      ⑫ [SKIP] Button
- ⑤ [NEXT RECORD] Button      ⑬ SKIP TIME
- ⑥ [FF] Button      ⑭ [Speed] Button
- ⑦ [REV SKIP] Button      ⑮ [TEXT] Button
- ⑧ [PREV IMAGE] Button      ⑯ [REC START] / [REC STOP] Button

### Camera Operation Panel



- ① Zoom      ③ Auto Mode      ⑤ Brightness      ⑦ AUX
- ② Focus      ④ Control Pad      ⑥ Preset

### Trademarks and registered trademarks

- Microsoft, and Windows are registered trademarks of Microsoft Corporation in the U.S. and other countries.
- Axis is a registered trademark of Axis Communications AB.
- Intel and Pentium are registered trademarks of Intel Corporation.

### Important

- Safety Precaution: carefully read the operating instructions and installation manual before using this product.
- Panasonic can not be responsible for network performance and/or other manufacturer products that reside on the network.

- All TV pictures/menu are simulated.
- Weights and dimensions are approximate.
- Specifications are subject to change without notice.
- These products may be subject to export control regulations.
- Product pictures shown in this catalog are all NTSC models.

DISTRIBUTED BY:

**Panasonic**®

<http://panasonic.co.jp/pss/cctv/en/>

Printed in Japan (2A-006BL)