



## 4CH H.264 Real-time Network Video Encoder

### Key Features

- Full frame H.264 transmission for each 4 channels
- Dual streams of H.264 (High profile) and JPEG at VGA / D1 image size
- Motion adaptive interlace/progressive conversion allows every frame to be clear even when the subject is moving.
- Compensates the picture degradation caused by long-distance cable maintaining clear picture
- Coaxial communication ensures the control of Panasonic PTZ cameras via coaxial cable.
- Open command conversion table for RS-485 ensures the control of various manufacture's PTZ camera.
- SD/SDHC Memory card slot for manual recording, alarm recording, and backup upon network failure (JPEG)
- Camera title display: Up to 16 alphanumeric characters embedded in the image
- Full duplex bi-directional audio allows interactive communication.
- PoE. The power will be supplied by simply connecting a LAN cable. (IEEE802.3af compliant)
- Small size. And can be installed into the rack with mounting brackets. (Option)
- Alarm sources including 3 terminal input, VMD, camera site alarm, video loss, and Panasonic alarm
- VMD (Video Motion Detector) with 4 programmable detection areas
- Face detection detect the position of human face, the information is sent by XML or video stream. (Ch1 only)
- Meta data for VMD is supplied to work with the WJ-ND400 playback VMD function.

- Internet mode: H.264/MPEG-4 images can be transmitted by over HTTP protocol.
- Multi-language GUI and setup menu: English, French, Italian, Spanish, German, Russian (PAL) / English, French (NTSC)  
\* Installation required except for English
- IPv4/IPv6 protocol supported

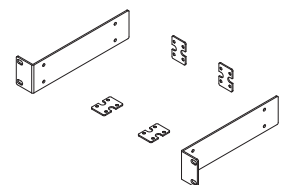
### Standard Accessories

- CD-ROM\*1 ..... 1 pc.
- Installation Guide ..... 1 pc.
- Code Label\*2 ..... 1 pc.

- \*1 The CD-ROM contains the operating instructions (PDFs) and different kinds of tool software programs.
- \*2 This label may be required for network management. The network administrator shall retain the code label.

### Optional Accessory

EIA19 inch Rack Mount Bracket  
**WV-Q204/2S**  
(for mounting three WJ-GXE500)

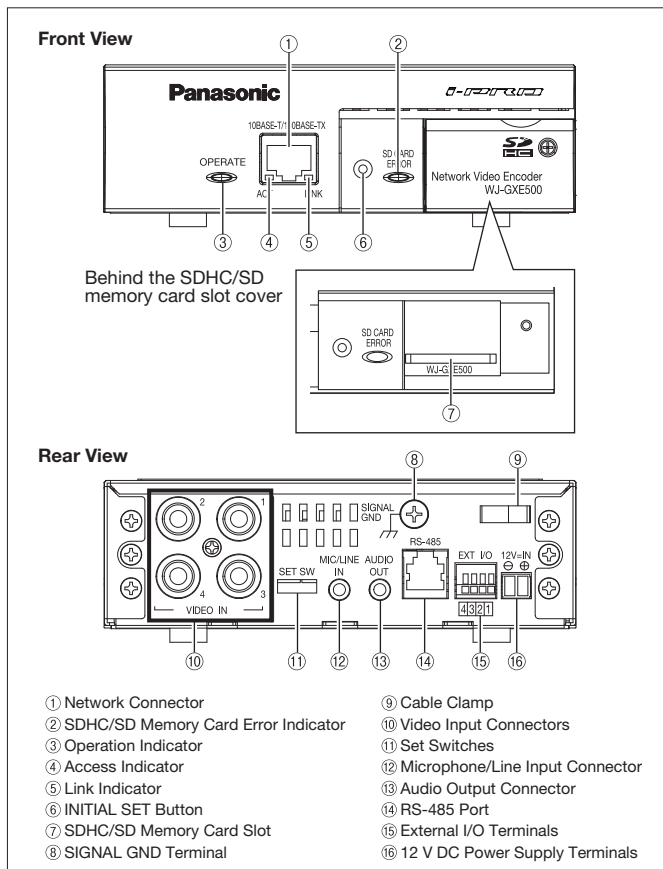


## Specifications

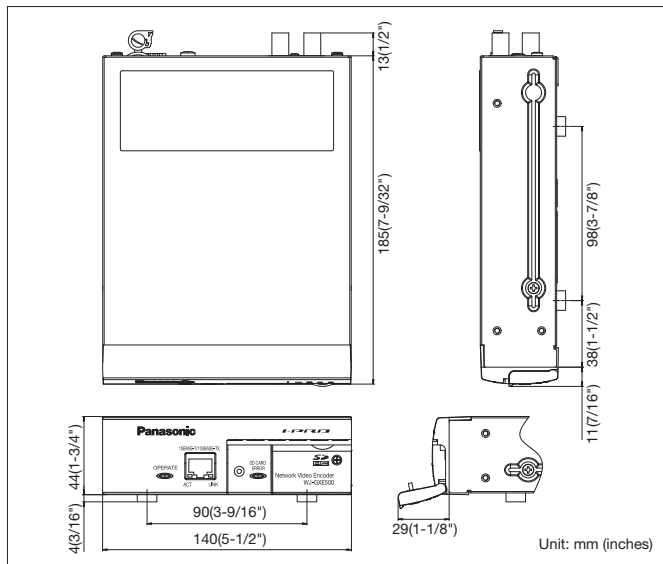
TV System	NTSC	PAL
<b>Audio/Video IF</b>	Video Input 4x 1.0 V [p-p] / 75 Ω NTSC composite video inputs (BNC) Multiplexed control data and cable compensation compatible: 1 - 4 CH	Video Input 4x 1.0 V [p-p] / 75 Ω PAL composite video inputs (BNC) Multiplexed control data and cable compensation compatible: 1 - 4 CH
	Microphone/Line Input MIC IN and Line IN are selectable. ø3.5 mm stereo mini jack (monaural input) (Applicable microphone: Plug-in power type) Supply voltage: 2.5 V ±0.5 V Input impedance: approx. 2 kΩ	
	Audio Output ø3.5 mm stereo mini jack (monaural output) Line level	
<b>Browser GUI</b>	Camera Control Pan / tilt / zoom / focus / preset positions / auto focus (When using Panasonic P/T/Z cameras)	
	Display Mode Spot, Quad: Image from 16 cameras can be displayed in 4 different Quad screens (JPEG only). 20 characters camera title available.	
	Unit Title Up to 20 characters	
	Camera Title (OSD) Up to 16 characters On/Off	
	Clock Display Time: 12H/24H, Date: 5 formats on the browser, Summer time (Manual)	
	Alarm Control Reset	
	One Shot Capture A still picture will be displayed on a newly opened window.	
	Audio Mic (Line) Input: ON / OFF Volume adjustment: Low / Middle / High, Audio Output: ON / OFF Volume adjustment: Low/Middle/High	
	SD Memory Data Download Still or motion Images recorded in the SD/SDHC memory card can be downloaded.	
	GUI/Setup Menu Language English, French (Installation required for French), Spanish, German, Russian (Installation required except for English)	
	System Log Up to 100 (Internal), Up to 4,000 (SD memory when the recording format is set to JPEG.) error logs	
	Supported OS Microsoft® Windows® 7 Professional 64 bit/32 bit, Microsoft® Windows Vista® Business SP1 32 bit, Microsoft® Windows® XP Professional SP3 The language of the OS must be same as selected GUI language.	
	Supported Browser Windows® Internet Explorer® 8.0 32 bit (Microsoft® Windows® 7 64 bit/32bit), Windows® Internet Explorer® 7.0 (Microsoft® Windows Vista® Business SP1 32 bit), Microsoft® Internet Explorer® 6.0 SP3 (Microsoft® Windows® XP Professional SP3)	
<b>Network</b>	Network IF 10Base-T / 100Base-TX, RJ-45 connector	
	Image Resolution VGA mode: VGA (640 x 480) / QVGA (320 x 240) D1 mode: D1 (720 x 480)	VGA mode: VGA (640 x 480) / QVGA (320 x 240) D1 mode: D1 (720 x 576)
	H.264/MPEG-4* Transmission Mode Constant bitrate / Framerate priority	
	Frame Rate 1 / 3 / 5 / 7.5 / 10 / 15 / 20 / 30 fps	1 / 3.1 / 4.2 / 6.25 / 8.3 / 12.5 / 20 / 25 fps
	Bit Rate/Client 64 / 128 / 256 / 384 / 512 / 768 / 1,024 / 1,536 / 2,048 / 3,072 / 4,096 kbps / Unlimited	
	Image Quality Low / Normal / Fine	
	Refresh Interval 0.2 / 0.33 / 0.5 / 1 / 2 / 3 / 4 / 5 s	
	Transmission Type UNICAST / MULTICAST	
	JPEG Image Quality 10 steps	
	Refresh Interval 0.1 fps ~ 30 fps (JPEG frame rate will be restricted when displaying both JPEG and H.264/MPEG-4 images.)	0.08 fps ~ 25 fps (JPEG frame rate will be restricted when displaying both JPEG and H.264/MPEG-4 images.)
	Transmission Type PULL / PUSH	
	Audio Compression G.726 (ADPCM), 32 kbps / 16 kbps, CH1 only.	
	Audio Mode OFF / Mic (Line) input / Audio output / Interactive (Half duplex) / Interactive (Full duplex)	
	Authentication for Audio Level 1 only / Level 2 higher / All users	
	Total Bit Rate 64 / 128 / 256 / 384 / 512 / 768 / 1,024 / 2,048 / 4,096 / 8,192 kbps / Unlimited	
	Supported Protocol IPv6: TCP/IP, UDP/IP, HTTP, RTP, FTP, SMTP, DNS, NTP, SNMP IPv4: TCP/IP, UDP/IP, HTTP, RTSP, RTP, RTP/RTCP, FTP, SMTP, DHCP, DNS, DDNS, NTP, SNMP	
	FTP Client Periodic image transfer, Alarm image transfer (When the FTP transmission is failed, backup on an optional SDHC/SD memory card is available.)	
	No. of Simultaneous Users Up to 16 users (Depends on network conditions)	
	SDHC/SD Memory Card (Option) Alarm REC / Backup upon network failure / Manual REC (JPEG only) Compatible SD (SDHC) card: Panasonic 256 MB, 512 MB, 1 GB, 2 GB, 4 GB*, 8 GB*, 16 GB*, 32 GB* model * SDHC card	
	Face Detection On / Off (with XML notification) (Ch1 only)	
<b>Alarm</b>	Alarm Source 3 terminal input, VMD, Command alarm, Camera site alarm, Video loss alarm	
	Alarm Action SDHC/SD memory recording, E-mail notification, Alarm terminal output, Indication on browser, FTP image transfer, Panasonic protocol output	
	Alarm Log With SDHC/SD memory card: 5,000 logs, without SDHC/SD memory card: 1,000 logs	
<b>Input/Output</b>	Terminal Terminal 1: Alarm input, Terminal 2: Alarm input/Alarm output, Terminal 3: Alarm input/Alarm output/AUX output	
	RS-485 Port 1x RS-485 (RJ-11, 4 wire / 2 wire, Full/Half duplex. Open command conversion table for Other manufacturer's PTZ camera)	
<b>General</b>	Safety/EMC Standard UL (UL60065), FCC (Part15 ClassA), C-UL (CAN/CSA C22.2 No.60065), DOC (ICES003 ClassA)	CE (EN55022, ClassB, EN55024)
	Power Source and Power Consumption 12 V DC: 500 mA, PoE (IEEE802.3af): 6 W (Class 0 device)	
	Ambient Operating Temperature -10 °C ~ +50 °C (14 °F ~ 122 °F)	
	Ambient Operating Humidity 90 % or less (without condensation)	
	Dimensions 140 mm (W) x 44 mm (H) x 185 mm (D) (5-1/2" x 1-3/4" x 7-9/32") (excluding rubber feet and projections)	
	Weight (approx.) 1.0 kg (2.21 lbs.)	

\* H.264 and MPEG-4 are alternative.

## Part Names and Functions



## Appearance



### Trademarks and registered trademarks

– Microsoft, and Windows are registered trademarks of Microsoft Corporation in the U.S. and other countries.  
– "Super Dynamic", "SDII", "SDIII", "SD5", "SD5Link", "i-PRO" and "i-PRO SmartHD" logos are trademarks or registered trademarks of Panasonic Corporation.

### Important

– Safety Precaution: carefully read the operating instructions and installation manual before using this product.  
– Panasonic can not be responsible for network performance and/or other manufacturer products that reside on the network.

- All TV pictures are simulated.
- Weights and dimensions are approximate.
- Specifications are subject to change without notice.
- These products may be subject to export control regulations.
- All product pictures are NTSC models.

DISTRIBUTED BY:

**Panasonic**

<http://panasonic.net/security/>

Printed in Japan (2A-056AA)