

Dual temp switchable Island showcase.  
Adopting single phase power source.

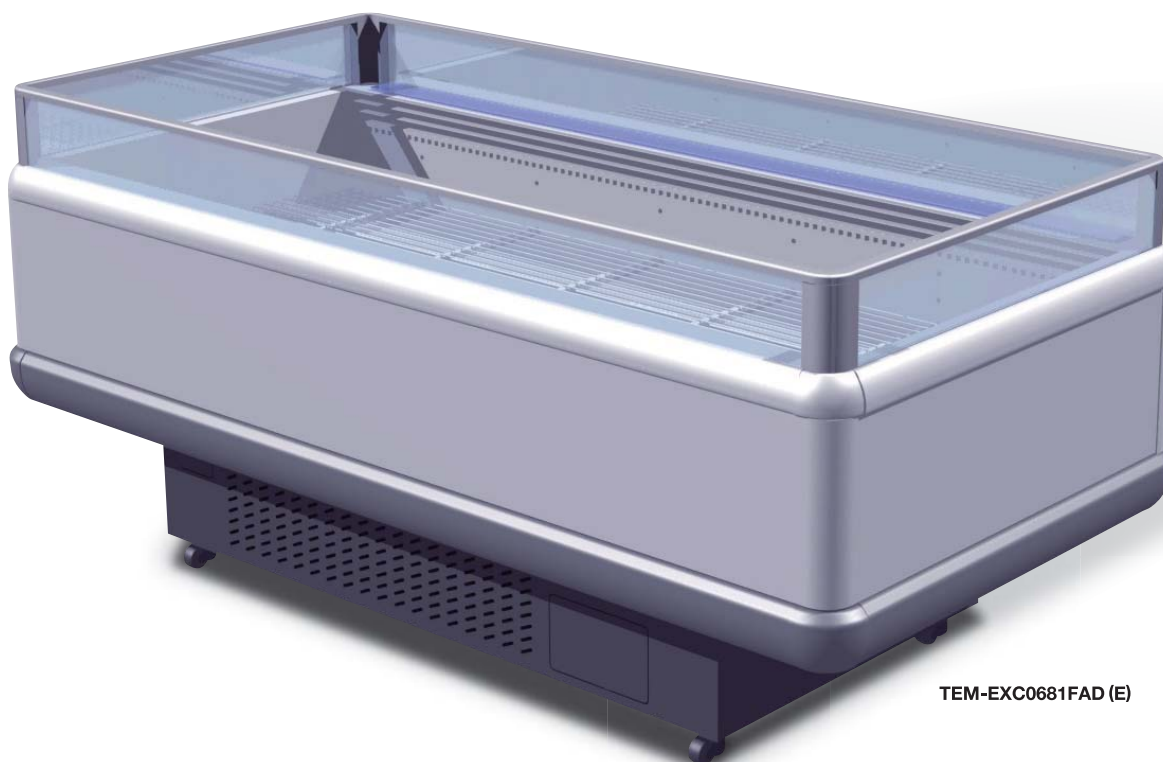
Single phase  
220V-240V  
50Hz

## Cooling temp switchable

- Usable both refrigerator temp & freezer temp

## High usability plug-in showcase

- Easy installation & moving



TEM-EXC0681FAD (E)

### Technical data

Model	External dimension	Capacity	Performance
TEM-EXC0681FAD (E)	L1800 x D1100 x H930 (mm)	300 L	Refrigerator: -2 ~ 2 °C Freezer: -18 ~ -15 °C (AT27 °C, 70 %, less than 0.2 m/s)



Eco-friendly thermal insulation material



Digital controller



Caster wheel



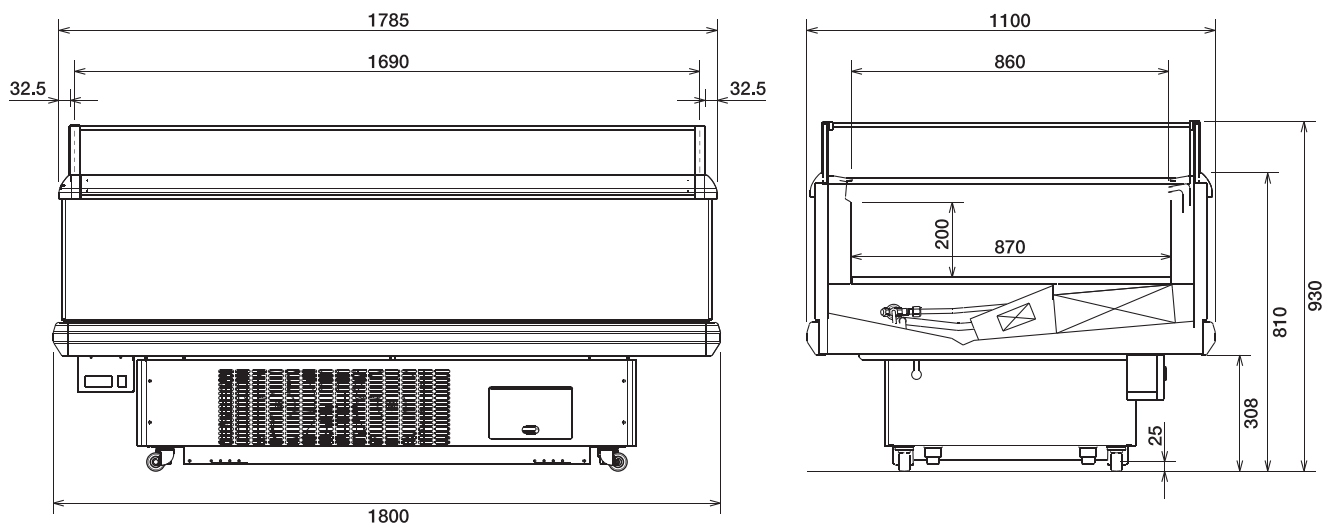
Low temperature equipment

## Specification

<b>Model</b>	<b>TEM-EXC0681FAD (E)</b>	
Dimensions (L x D x H) (mm)	External	1800 x 1100 x 930
	Internal	1690 x 860 x 200
Capacity (Effective)	300 L	
Performance	Refrigerator: -2 ~ 2 °C Freezer: -18 ~ -15 °C (AT27 °C, 70 %, less than 0.2 m/s)	
Insulation	Foamed-in-place urethane	
Compressor	Hermetic type	
Refrigerant	R404A	
Temperature control	Digital temp controller	
Condenser	Finned coil forced convection	
Defrost	Heater defrost	
Power source	Single phase, 220~240 V, 50 Hz	
Accessory	Night curtain	
Weight	195 kg	

## Dimensional outline drawing (mm)

### TEM-EXC0681FAD (E)



### Safety Precaution

- All of our products in this catalog are designed for commercial use.
  - Please consult the operation & installation manual before use and operate the product correctly.
  - Please consult a Panasonic agent regarding product installation.
  - These products are for indoor use only, do not use them outdoors.
  - Please don't use these products for unintended purposes. Doing so could cause an accident.
  - Please take measures to prevent falls.
  - Do not use the products to store volatile or flammable substances such as benzene or alcohol cylinders. Doing so could cause an explosion.
  - Only use the products for exhibiting food items for sale or for temporary storage.
- Using the products for other purposes could cause a loss in quality of the items stored, among other problems.

※ All pictures are simulated.

※ Design and specification are subject to change without prior notice.

©Panasonic Commercial Equipment Systems Co., Ltd.

### Panasonic Commercial Equipment Systems Asia Pacific

202 Bedok South Ave 1, Blk B #01-15, Singapore  
TEL:+65 6338 6411

#### <Reference phone number>

Japan:+81 3 6364 3434

Thailand:+66 2712 2581

Hong Kong:+852 2367 0181

Taiwan:+8862 2598 0599

Philippines:+632 284 2300

Vietnam:+84 8 3813 1001

# Panasonic®

The date of issue : October 2018

1810P-DH-SA101 ver1