

# Pursuing Working Environment & Efficiency. User Friendly Cold-Table Type.

**2** Door  
Type

## SUF-1271HP(E)

- ◆ External dimensions  
/ W1200mm x D750mm x H800mm
- ◆ Capacity / 280 L
- ◆ Weight / 84 kg



**3** Door  
Type

## SUF-1871HP(E)

- ◆ External dimensions  
/ W1800mm x D750mm x H800mm
- ◆ Capacity / 495 L
- ◆ Weight / 120 kg



R404A  
refrigerant



Forced  
evaporation



220-  
240V  
50 Hz  
adoptable



Center-pillar-less  
design



Heater  
defrost



Caster  
[option]

# New HP Series Commercial Freezer (Cold-Table Type)

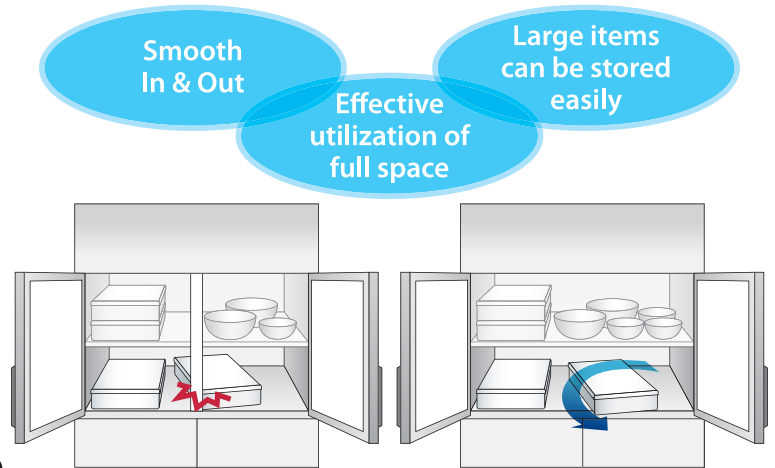
## Features

### ● Pillarless Design



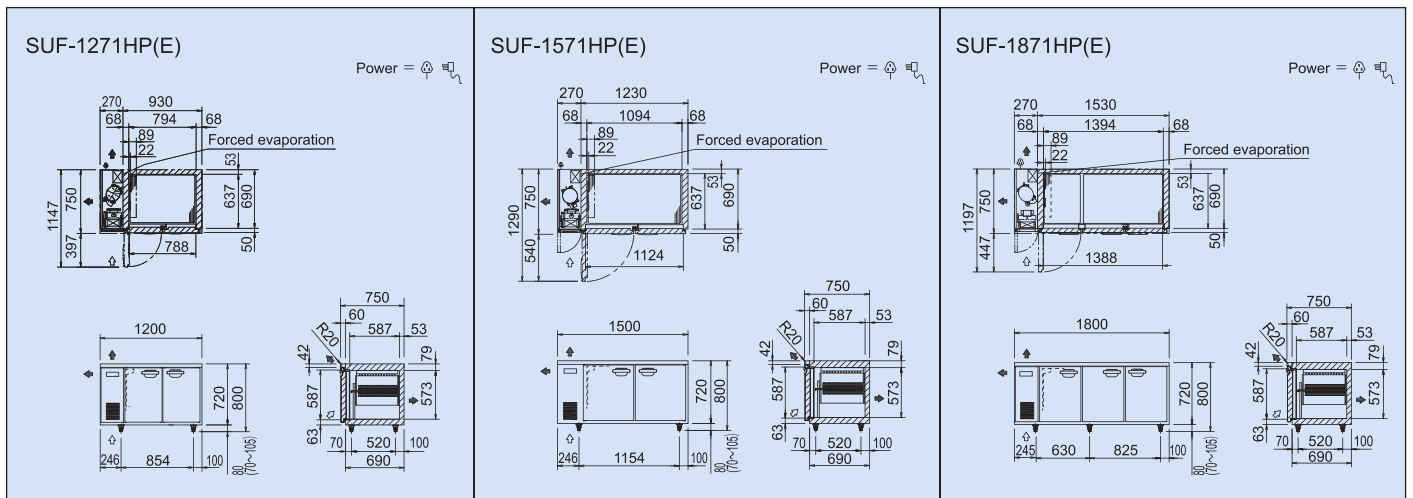
### ● Standardly Equipped Forced Evaporation System

### ● All Single Phase, 220-240V Model (Easy Installation)



\*This illustration is using Upright type.

## Dimensional Outline Drawing (mm)



### Safety Precaution

- All of our products in this catalog are designed for commercial use.
- Please consult the operation & installation manual before use and operate the product correctly.
- Please consult a Panasonic agent regarding product installation.
- These products are for indoor use only, do not use them outdoors.
- Please don't use these products for unintended purpose. Doing so could cause an accident.
- Please take measures to prevent falls.
- Do not use the products to store volatile or flammable substances such as benzene or alcohol cylinders. Doing so could cause an accident.

※ All pictures are simulated.

※ Design and specification are subject to change without prior notice.

