

Open showcase with LED lights for all shelves
Installable in various location

Single phase
220V
50Hz

Energy saving with LED lights

Easy installation
Plug-in type

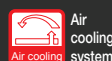
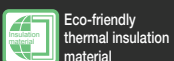
Excellent cooling
performance 0~7.2°C



SAR-CD361L(HK)

Technical data

Model	External dimension	Capacity	Performance	Light
SAR-CD361L(HK)	L967 x D705+(25) x H1900 (mm)	360 L	Cooling: 0 ~ 7.2 °C (AT27 °C, 70 %, less than 0.2 m/s, without direct sunlight)	LED 10 W x 1, 9 W x 6
SAR-CD461L(HK)	L1271 x D705+(25) x H1900 (mm)	427 L	Cooling: 0 ~ 7.2 °C (AT27 °C, 70 %, less than 0.2 m/s, without direct sunlight)	LED 13 W x 1, 12 W x 6

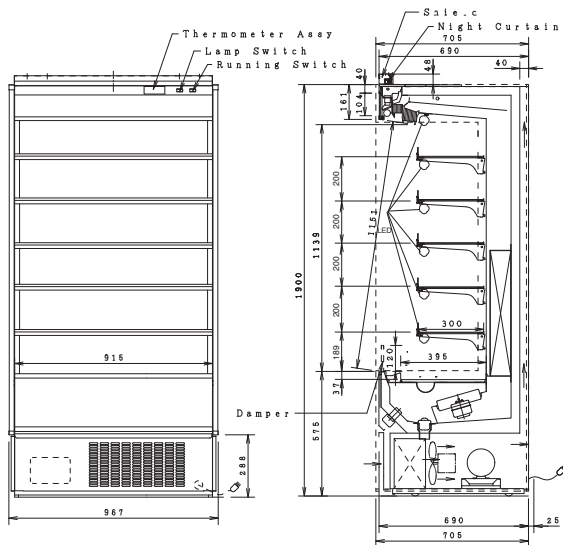


Specification

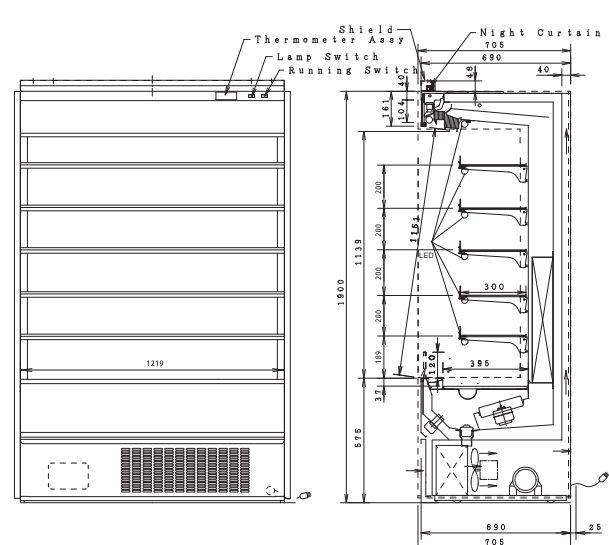
Model		SAR-CD361L(HK)	SAR-CD461L(HK)
Dimensions (L x D x H) (mm)	External	967 x 705+(25) x 1900	1271 x 705+(25) x 1900
	Internal	915 x 300 x 1204	1219 x 300 x 1204
Capacity (Effective)		360 L	427 L
Performance		Cooling: 0 ~ 7.2 °C (AT27 °C, 70 %, less than 0.2 m/s, without direct sunlight)	
Material		Spray steel plate	
Shelf		5 shelves + 1 deck pan	
Insulation		Foamed-in-place urethane	
Compressor		Obturation Completed	
Refrigerant		R404A	
Evaporator		Fin Type Forced Circulation	
Temperature control		Auto temp controller	
Condenser		Fin Type Forced Circulation	
Defrost		Off cycle timer defrost	
Light		LED 10 W x 1, 9 W x 6	LED 13 W x 1, 12 W x 6
Power source		Single phase, 220 V, 50 Hz	
Weight		251 kg	290 kg

Dimensional outline drawing (mm)

SAR-CD361L(HK)



SAR-CD461L(HK)



Safety Precaution

- All of our products in this catalog are designed for commercial use.
 - Please consult the operation & installation manual before use and operate the product correctly.
 - Please consult a Panasonic agent regarding product installation.
 - These products are for indoor use only, do not use them outdoors.
 - Please don't use these products for unintended purposes. Doing so could cause an accident.
 - Please take measures to prevent falls.
 - Do not use the products to store volatile or flammable substances such as benzene or alcohol cylinders. Doing so could cause an explosion.
 - Only use the products for exhibiting food items for sale or for temporary storage.
- Using the products for other purposes could cause a loss in quality of the items stored, among other problems.

※ All pictures are simulated.

※ Design and specification are subject to change without prior notice.

©Panasonic Commercial Equipment Systems Co., Ltd.

Panasonic Commercial Equipment Systems Asia Pacific

202 Bedok South Ave 1, Blk B #01-15, Singapore
TEL:+65 6338 6411

<Reference phone number>

Japan:+81 3 6364 3434

Thailand:+66 2712 2581

Hong Kong:+852 2367 0181

Taiwan:+8862 2598 0599

Philippines:+632 284 2300

Vietnam:+84 8 3813 1001

Panasonic®

The date of issue : October 2018
1904P-DH-CM102 ver1