

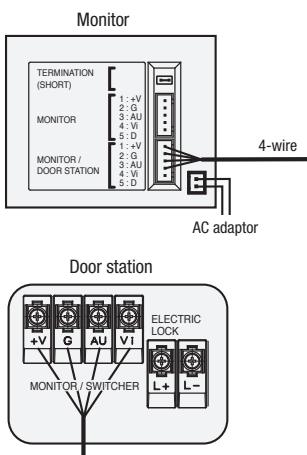


## Key Features

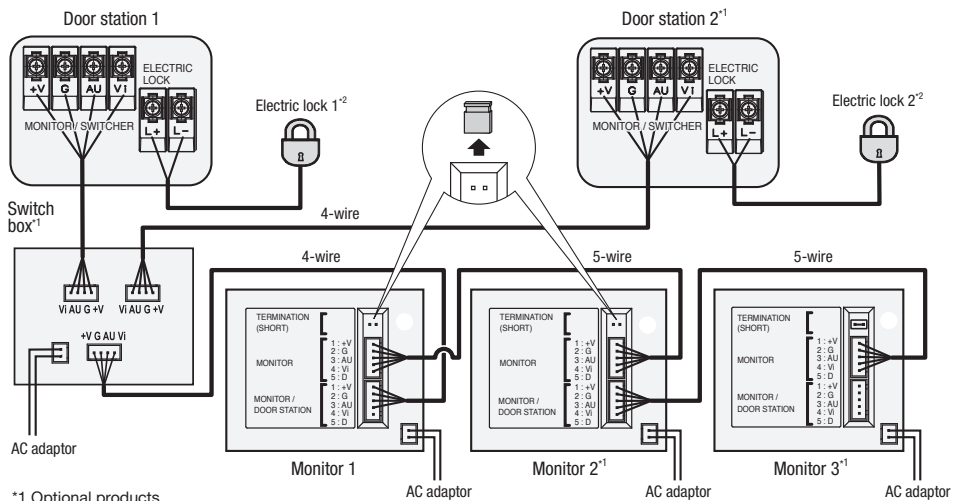
- **7-inch Wide Monitor:** Main monitor lets you clearly identify visitors.
- **Picture Recording Function:** Up to 50 images of visitors can be recorded.
- **Three Monitors Connectable:** A maximum of three main monitor units can be connected.
- **Intercom Call:** If optional monitors are connected to the system, you can use a monitor to call other monitors.
- **Hands-free Talking:** When you receive a call from a door station, you can monitor the visitor on the monitor display and talk hands-free.
- **Electric Lock Release Support (Door Opener):** The door lock can be easily and quickly released even from another room of the house if an additional monitor is connected.

## Wiring Schematic Diagram

### Basic system



### Fully expanded system



\*1 Optional products

\*2 User supplied.

• Electric lock connection terminal (L+/L-): 12 V DC, less than 1.5 A

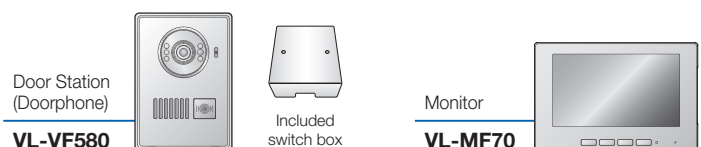
## Wire type and length

| From - To                    | Max. distance | Cable standard       | Cable type reference |
|------------------------------|---------------|----------------------|----------------------|
| Door station - Monitor       | 50 m          | 0.5 mm <sup>2</sup>  | RWV4 (4-wire)        |
|                              | 100 m         | 0.75 mm <sup>2</sup> |                      |
| Electric lock - Door station | 5 m           | 1.0 mm <sup>2</sup>  | RWV2 (2-wire)        |
|                              | 10 m          | 1.5 mm <sup>2</sup>  |                      |
| Monitor - Monitor            | 50 m          | 0.5 mm <sup>2</sup>  | RWV6 (6-wire)        |
|                              | 100 m         | 0.75 mm <sup>2</sup> |                      |

## Accessory Information

- AC adaptor × 1 (PNLV245)
- Mounting bracket × 1
- Wood screws for door station (3.8 mm × 20 mm) × 2
- Wood screws for monitor (4.0 mm × 16 mm) × 2
- 5-pin connector × 1
- Hex wrench × 1

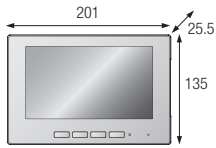
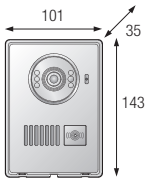
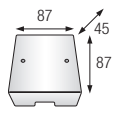
## Optional Accessories



# Model Composition

|         |                           |
|---------|---------------------------|
| VL-SF70 | VL-MF70 x 1, VL-VF580 x 1 |
|---------|---------------------------|

## Specifications

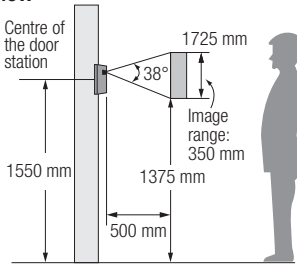
|   | VL-MF70   | VL-VF580  |   |
|---|---|---|---|
| Model number and name                                     | Monitor   | Door Station (Doorphone)  | Switch Box  |
| Dimensions  | Up to 3<br>            | Up to 2<br>    | <br>*Included with the optional VL-VF580 |
| Power supply  | AC adaptor (PNLV245), 24 V DC, 0.5A   | Supplied by the Monitor   | AC adaptor (PNLV245), 24 V DC, 0.5A   |
| Power consumption   | Standby: Approx. 1.3 W<br>During operation: Approx. 10 W  | -   | -   |
| Dimensions (H x W x D)<br>(Excluding protruding sections) | Approx. 135 x 201 x 25.5 mm   | Approx. 143 x 101 x 35 mm   | Approx. 87 x 87 x 45 mm   |
| Weight  | Approx. 465 g   | Approx. 265 g   | Approx. 100 g   |
| Operating environment                                     | Ambient temperature: Approx. 0 °C to +40 °C<br>Relative humidity (non-condensing): from 45 % up to 90 % | Ambient temperature: Approx. -10 °C to +50 °C<br>Relative humidity (non-condensing): up to 90 % | Ambient temperature: Approx. 0 °C to +40 °C<br>Relative humidity (non-condensing): up to 95 %                               |
| Display   | Approx. 7 inches wide colour display  | -   | -   |
| Talking method  | Hands-free  | -   | -   |
| Viewing angle   | -   | Horizontally: Approx. 51°<br>Vertically: Approx. 38°  | -   |
| Installation method                                       | Wall mount<br>(Wall mount bracket included)   | Wall mount<br>(Mounting base attached)  | Flush mount or wall mount   |
| Minimum illuminance required                              | -   | 1 lx<br>(within approx. 50cm from the camera lens)  | -   |
| Lighting method   | -   | White coloured LED lights   | -   |
| IP rating/IK rating                                       | -   | IP44 <sup>1</sup>   | -   |
| External material   | Flame retardant ABS resin   | Flame retardant ABS resin   | Flame retardant ABS resin   |

\*1 Water resistance is only assured if the camera is installed correctly according to the instructions in the Installation Guide, and appropriate water protection measures are taken.

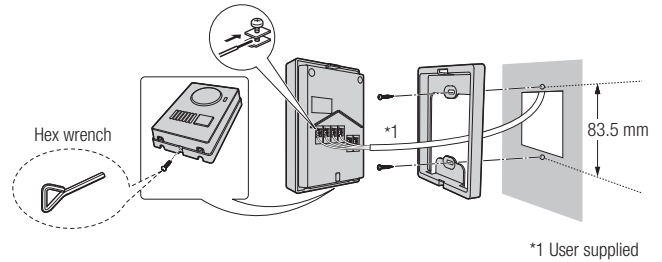
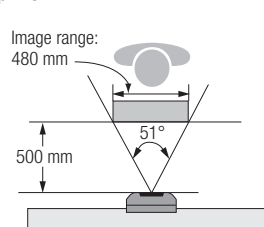
## Installing the Doorphone

- Example: Installation height is 1550 mm (standard position).

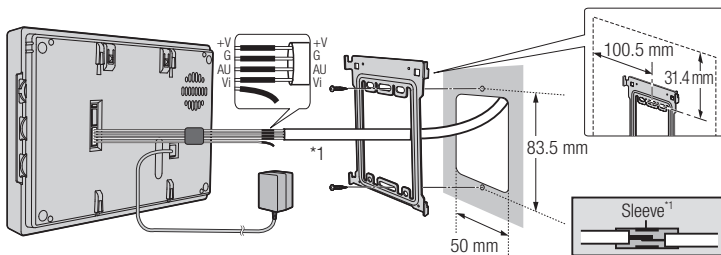
### Side view



### Top view

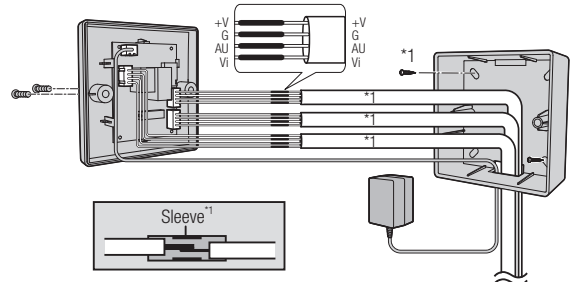


## Installing the Monitor



\*1 User supplied

## Installing the Switch Box (for use with optional door stations)



\*1 User supplied

### Important

– Safety Precaution: carefully read the operating instructions and installation manual before using this product.

- The actual product may vary slightly from photograph.
- Weights and dimensions are approximate.
- Design and Specifications are subject to change without notice.
- These products may be subject to export control regulations.